

**Mount bracket using holes on
the left or right (used for mounting
the original coils)**

Note* Mount above lower coils

Tags face forks



Suggestion:

Coils 1 & 6

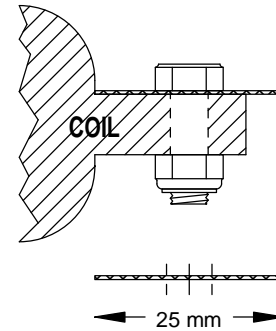
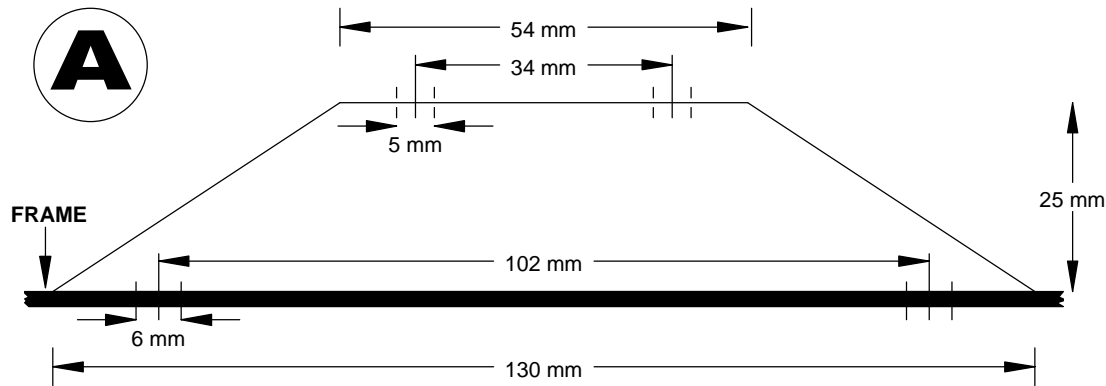
NOLOGY

Art. Nr. 356 1 04
made in Germany

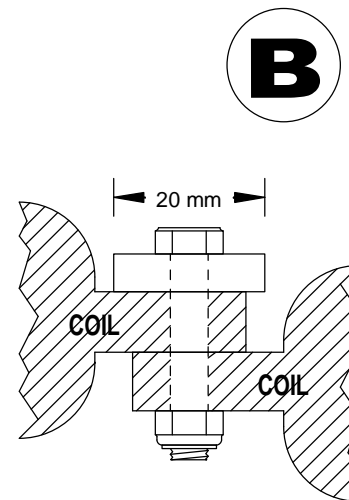
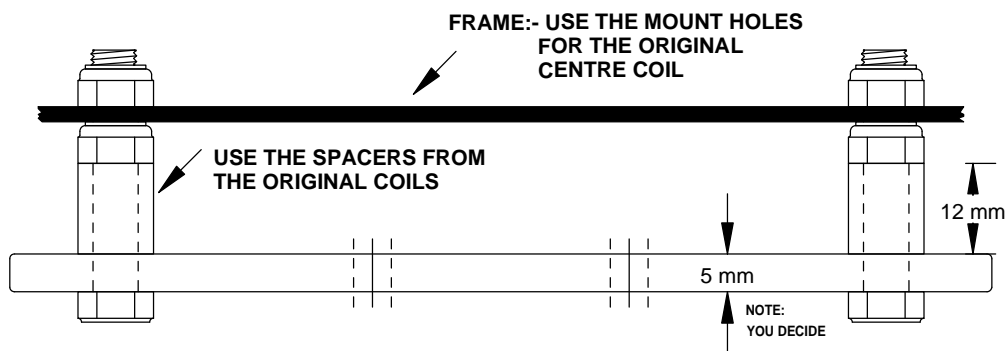


NOLOGY PROFIRE COIL MOUNTING BRACKETS

(Part # PFC - 30 D)



1. Mount bracket **A** in place of old (top) coils (1 - 6). Use the old fixing holes on either the left or right facing the forks. I found the left to be the better position. The spade terminals face the forks.
2. Place bracket **B** in place of old coils (2 - 5 and 3 - 4). Use the old centre fixing holes. The spade terminals face the forks.
3. Mark + and - on the coils for easy connection.
4. Use spacers from a set of old coils.
5. **For 1.5 ohm coils** :- Remove the resistor pack and connect the pink wires to the + terminal on the coils. Black (1 and 6), Green (2 and 5) and Blue (3 and 4) are connected to the - terminal
6. **For 3 ohm coils** :- Connect the yellow/red wires to the + terminal on the coils. Black (1 and 6), Green (2 and 5) and Blue (3 and 4) are connected to the - terminal.
7. Make leads to extend the coil wiring for ease of connection.



Fit these coils in the lower position using the centre holes (used for mounting the original coils)

Use spacers from old Coils

Mark + and - on side of Coil for ease of installation

Tags face forks

**Suggestion:
Coils 2 & 5
Coils 3 & 4**





